

DIRECTIONAL MULTI-BAND Antenna for GSM 900 & 1800 / PCS / DECT / UMTS

SMP-918-9 (Patent Pending) World highest gain in the smallest housing.

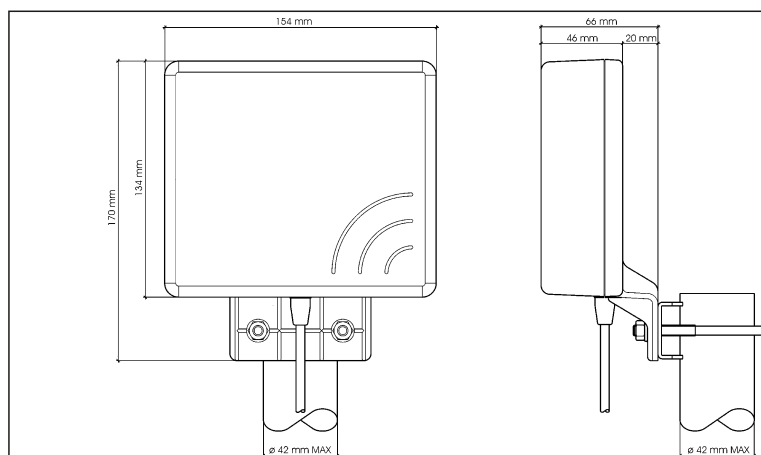
p/n 2111003.00

Electrical Data:

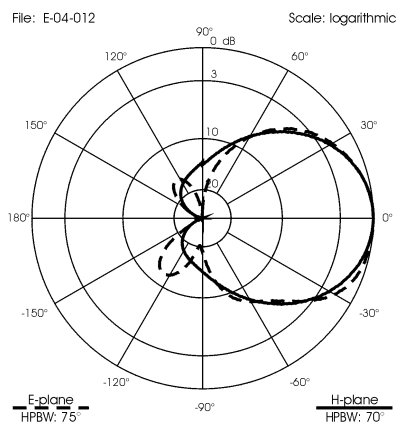
Type & Use:	Mini Panel Antenna for Indoor or Outdoor use
Frequency Range:	880-960 MHz (GSM 900) 1710-2170 MHz (GSM 1800, PCS, UMTS)
Impedance:	50 Unbalanced
Polarization:	Linear Vertical
Gain:	9 dBi at both band
Half power beam width:	See Typical Radiation Pattern
Downtilt:	0°
Front to back ratio:	15 dB from 880 to 960 MHz 15 dB from 1710 to 2000 MHz 10 dB from 2000 to 2170 MHz
V.S.W.R.:	2.0:1 from 880 to 960 MHz 1.8:1 from 1710 to 2170 MHz
Max Power:	20 Watts (CW) at 50° C
Lightning protection:	DC-ground
Cable Type / Length:	White Low Loss / 30 cm, other length on request
Connector:	SMA-male or female, other type on request

Mechanical Data:

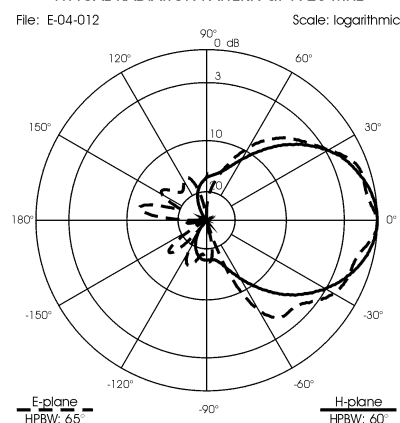
Housing & Radome Material:	RAL 7035 Light Grey thermoplastic UV Stabilized
Bracket & Hardware Material:	Galvanized Steel
Wind Load / Resistance:	40 N at 150 Km/h / 180 Km/h
Wind Surface:	0.02 m ²
Dimensions (approx.):	see drawing
Weight (approx.):	400 gr
Operating Temperature:	-20° C to +80° C
Installation Type:	Mast: 25-42 mm with U-bolt Wall: mounting screws (not included)



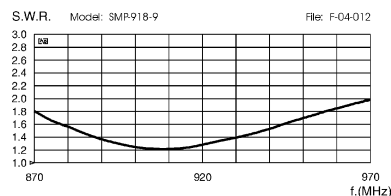
TYPICAL RADIATION PATTERN at 920 MHz



TYPICAL RADIATION PATTERN at 1920 MHz



TYPICAL S.W.R. RESPONSE



TYPICAL S.W.R. RESPONSE

